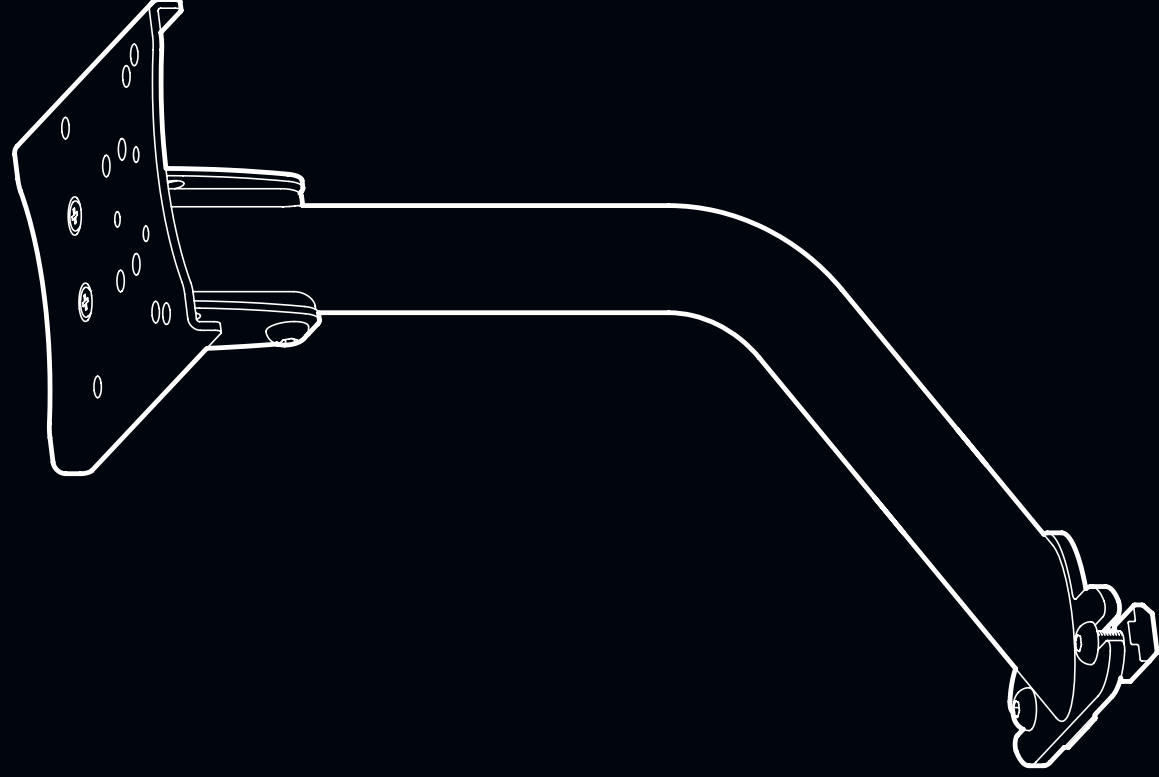
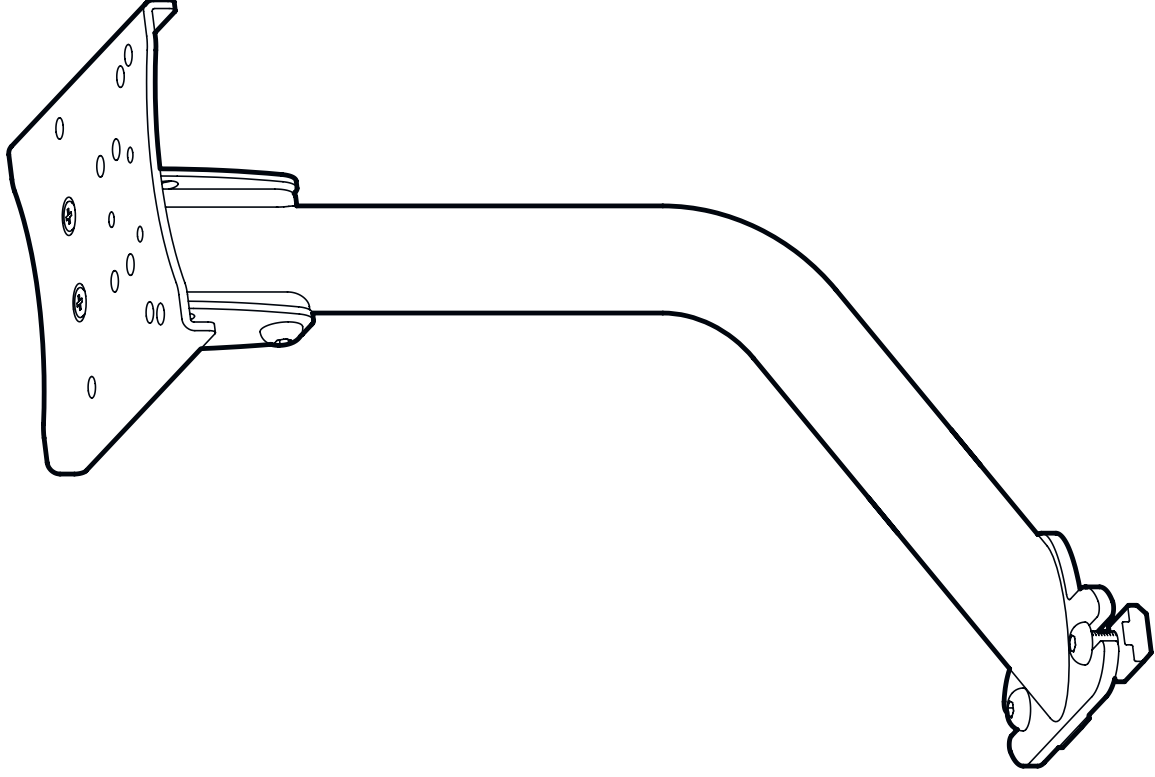




MONTAGEANLEITUNG | INSTRUCTION
MANUAL | INSTRUCTIONS DE MONTAGE



GEAR SHIFT HOLDER E



GEAR SHIFT HOLDER E

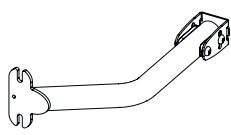
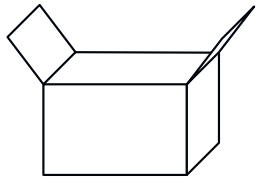
MPN: NC-SR-AC-002

Nitro Concepts is a brand of Pro Gamers Group
Product design & quality control in EU, Made in China
Email: info@nitro-concepts.com
Website: www.nitro-concepts.com
Pro Gamersware GmbH, Gausstrasse 1, 10589 Berlin, Germany
Document Version: v1.0, June 2024

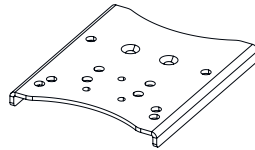


WARNING
Choking hazard
Be carefull
sharp-edges





Part_A: 1x



Part_B: 1x



Part_C: 1x



Part_D: 2x



M6x12: 2x



M8x16: 2x

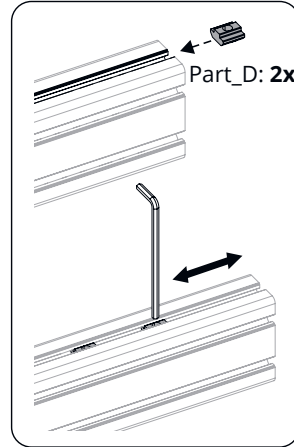
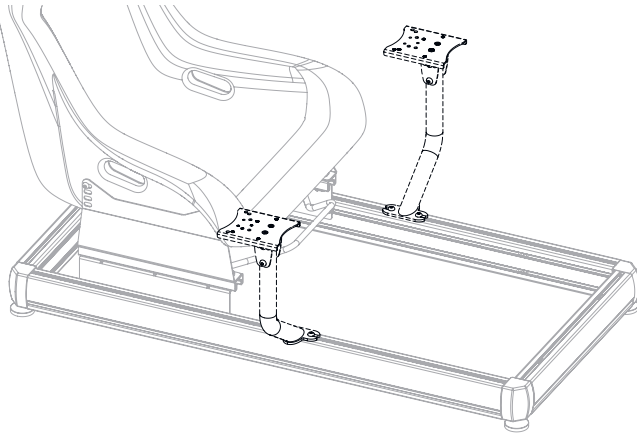


Part_G: 2x



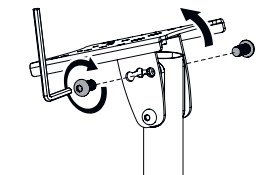
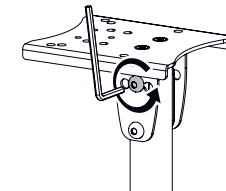
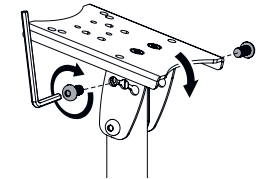
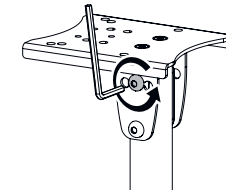
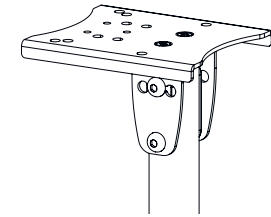
5mm: 1x

1

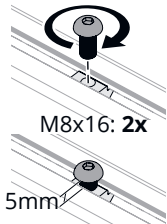


Part_D: 2x

3

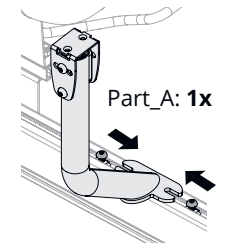


2A

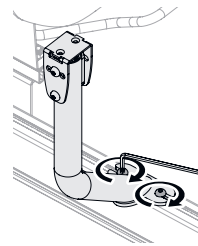


M8x16: 2x

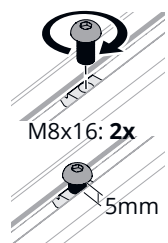
5mm



Part_A: 1x

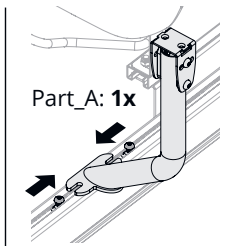


2B

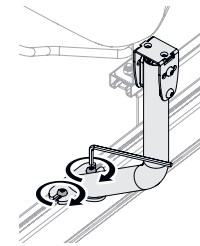


M8x16: 2x

5mm



Part_A: 1x



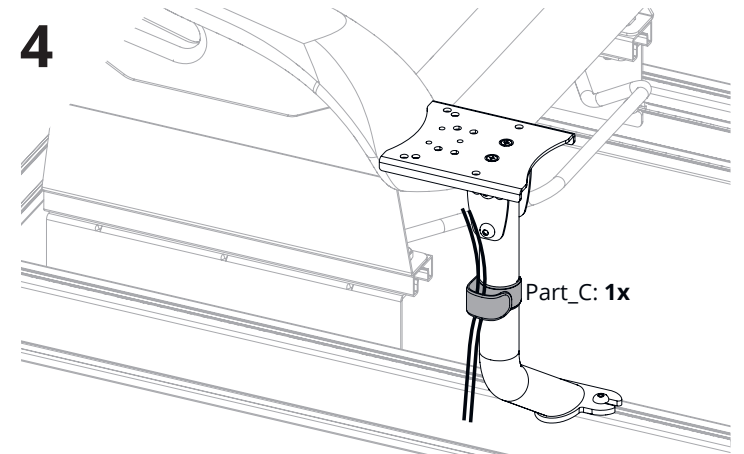
M6x12: 2x

Part_B: 1x

M6x12: 2x

Part_B: 1x

4



Part_C: 1x

